

Mobile Side Lift

AIR HYDRAULIC

1360 Kg lifting capacity per column
For Max. Vehicle Weight 2720 Kg



for
Innovation
Quality
Value For Money
Service

Pair Work for Axle Lifting



Features

Great Equipment for Home Garage and Auto-body Shops

Our Mobile Side Lift is designed as a significant assistance to home garage and auto-body shops. Its single post design with two Omni-directional wheels makes it easy to move. With the max-height of 29-1/2", Mobile Side Lift allows the operator to work on wheels or under doors at man's height. It's perfect for mechanical repair, bodywork, repainting & so much more.

Various Applications with Proper Adaptors

Equipped with proper adaptors, Mobile Side Lift can lift the vehicle from the front or from the back to bring it in a position which allows an ergonomic working position while welding, grinding and painting works.

Also with proper accessories, Mobile Side Lift can be used as a tyredolly, a mobile crane, a gearbox lifter ... etc.

Powerful and Reliable Hydraulic Lifting System

Mobile Side Lift powered by an air-hydraulic pump with heavy-duty aluminum reservoir, It can be easily controlled by one foot for lifting and lowering. Specially designed cylinder safety valve prevent overloading and in case of hydraulic pipe fracture.

Easy and Efficient Manual Block

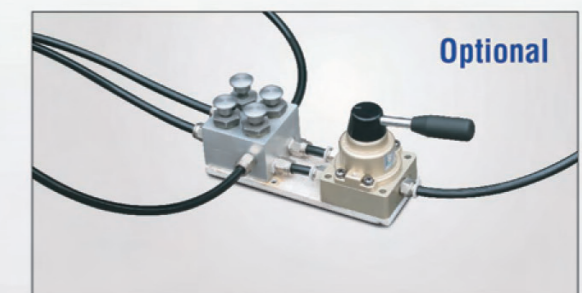
Mobile Side Lift uses a manual safety pin as a safety device which permits the column carriage to be blocked during the working operations. A spring catch also provide extra protection while the safety pin is in position.

Pair Work for Axle Lifting

Our Mobile Side Lift can be used in systems of two for axle lifting or even worked in systems of 4 columns to lift a car or van off the ground totally.



Air Hydraulic Pump
(Hand Operated)



Air-Supply Switch
(Dual)

For Remote Control Application



Multiple Ways of Lifting for Various Applications

NOTE: AC (240v) Plug-In style and DC (Battery-Powered) models now available - allow more scope for use in all areas of your workshop – and outside too... ask for pricing...



Lifting on the front wheel

Traditional Bodywork



Ergonomic Working Position



Lifting on the underdoor (option)



Lifting on the rear wheel



...makes work a pleasure, not a pain...





For Underdoor Lifting Use



*NOTE: Fork B is standard.
Fork A (underdoor) is optional...*

- ① Air Hydraulic Pump (Foot Operated)
- ② Fork for Wheels
- ③ Fork for Underdoor
- ④ Base Structure
- ⑤ Column
- ⑥ Safety Pin

Accessories



Fork A for Underdoor



Fork B for Wheels



Safety Pin with Spring Catch



Fork C

Optional



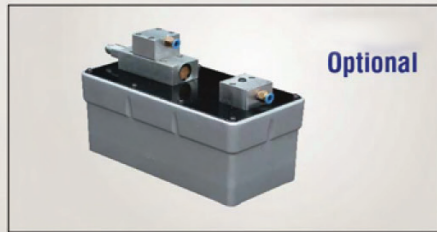
Fork D

Optional



Fork for Foot

Optional



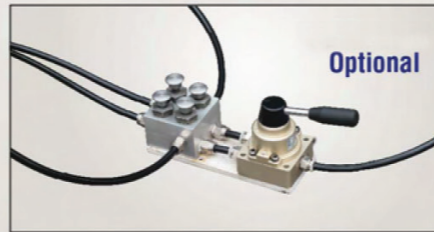
Air Hydraulic Pump (Hand Operated)

Optional



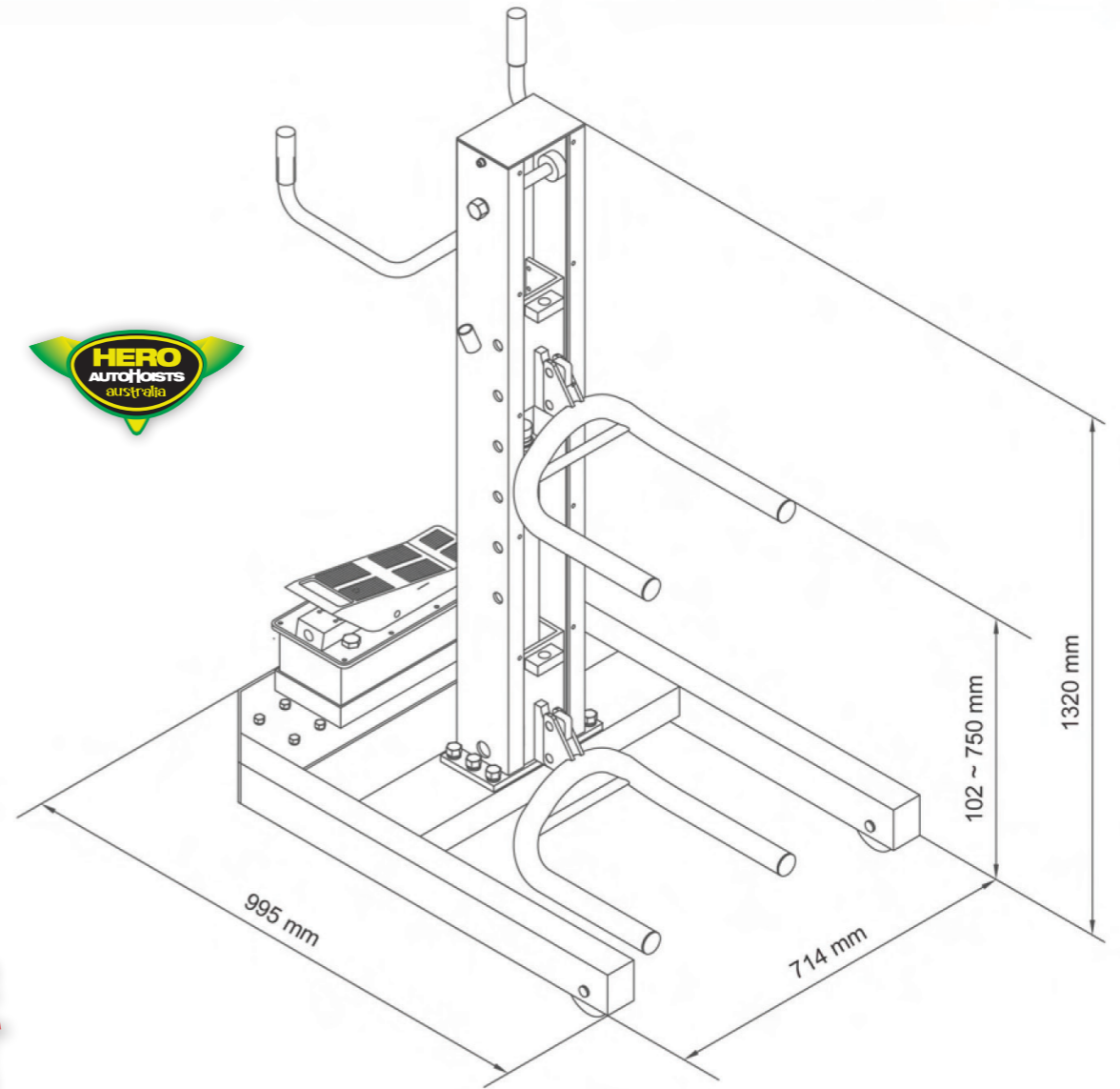
Air-Supply Switch

Optional



Air Supply Switch (Dual)

Optional



COMMERCIAL TOUGH
Residential Simple



We Sell Peace Of Mind...

Lifting Capacity	1360 Kg
Max Vehicle Weight	2720 Kg
Lifting Height	102 ~ 750 mm
Max. Lifting Time	30 sec
Max. Pump Pressure	40 Mpa
Air Pressure Range	4.0 ~ 8.0 bar
Height Overall	1320 mm
Footprint	995 x 714 mm
Net Weight	127.5 Kg
Gross Weight	135 Kg

1300 79 5438 • (02) 9743-9355 • 0413 29 3318