



Lift King Portable / Storable 2-Post Car Hoist

At Hero Hoists
we sell
Peace Of Mind...

- ✓ Clear Floor
- ✓ Column Movable
- ✓ Minimum Storage Space
- ✓ Easy Install with Quick Connector
- ✓ No Synchronization Control Cable
- ✓ Hydraulic Synchronization Control

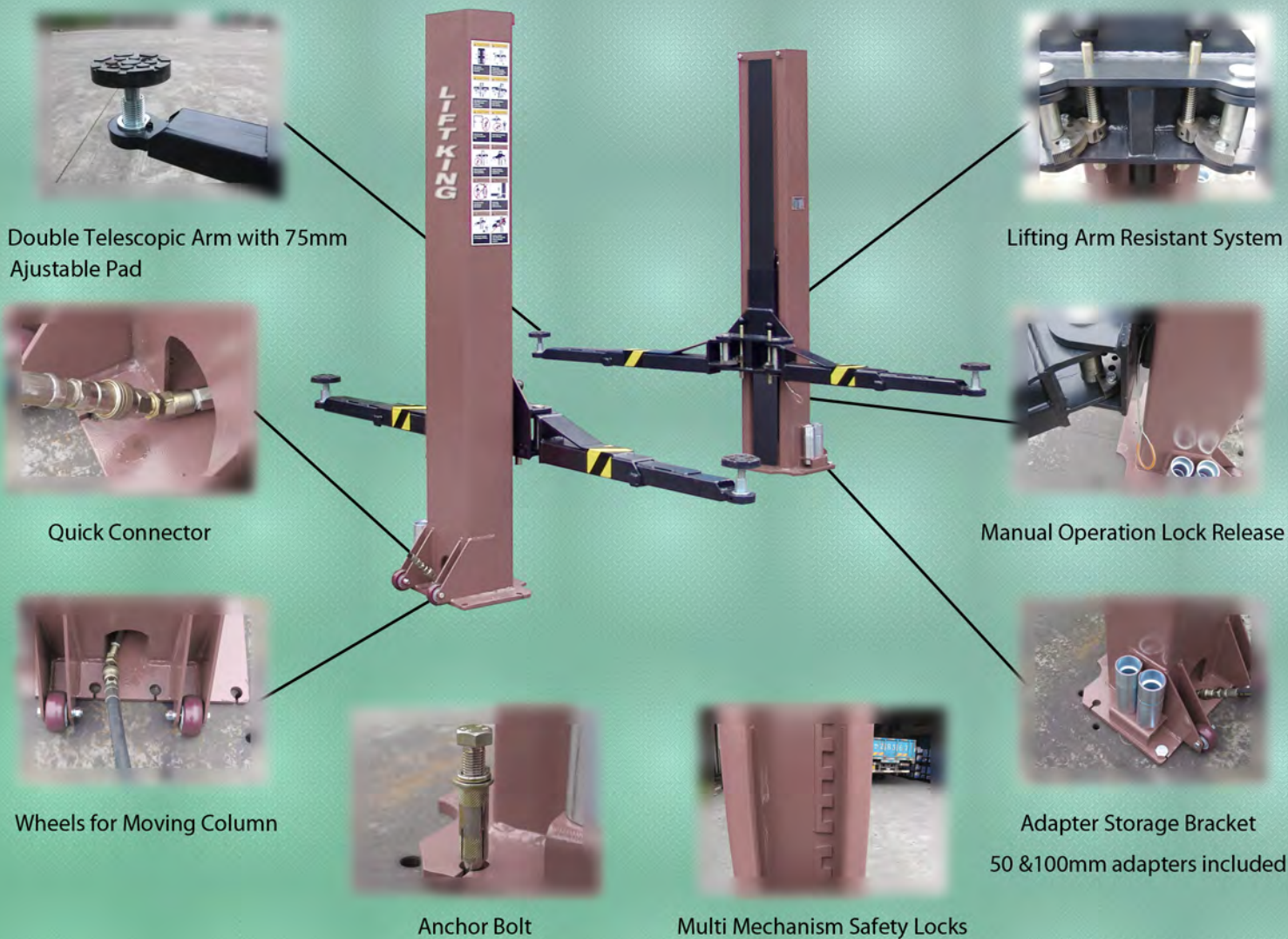


Trolley With Power Unit Available



Column Width Fully Adjustable

1300 79 5438
hero hoists.com.au



Double Telescopic Arm with 75mm Adjustable Pad

Lifting Arm Resistant System



Quick Connector



Manual Operation Lock Release



Wheels for Moving Column



Anchor Bolt

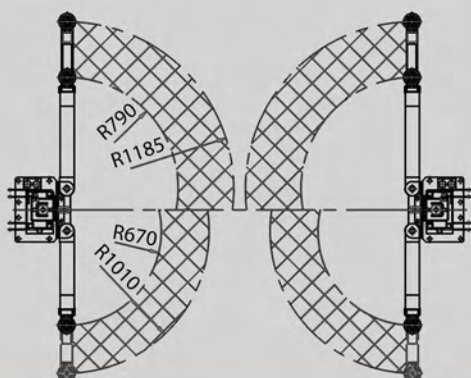
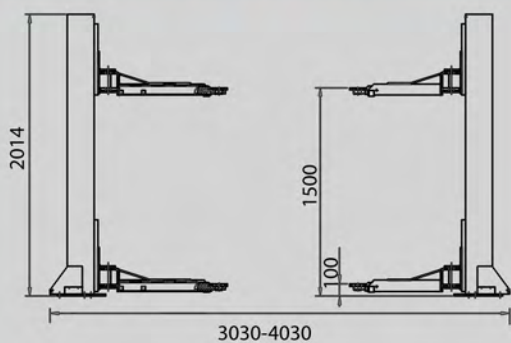


Multi Mechanism Safety Locks



Adapter Storage Bracket
50 & 100mm adapters included

DIMENSION



SPECIFICATION

Capacity	3200 kg
Lifting height	100-1500 mm
Lifting time	≤40s
Overall height	2014 mm
Overall width	adjustable
Front arm reach	670-1010 mm
Rear arm reach	790-1185 mm
Drive through width	adjustable
Net weight	492 kg
Gross weight	509 kg