



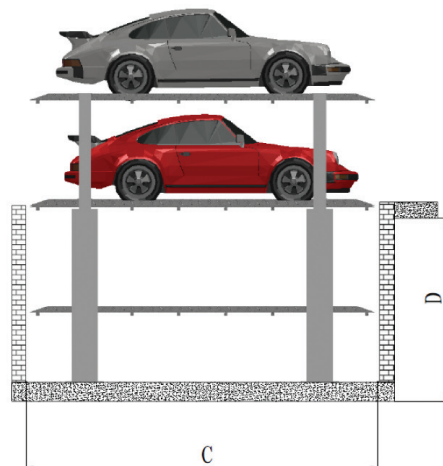
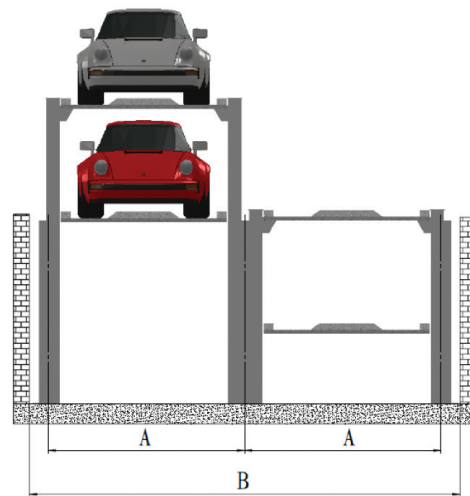
Pit Four Post Parking System

- Simple, compact structure
- PLC computer control / push-button manipulation
- Equipped with multiple safety devices + scram button
- High-Quality / CE Certification



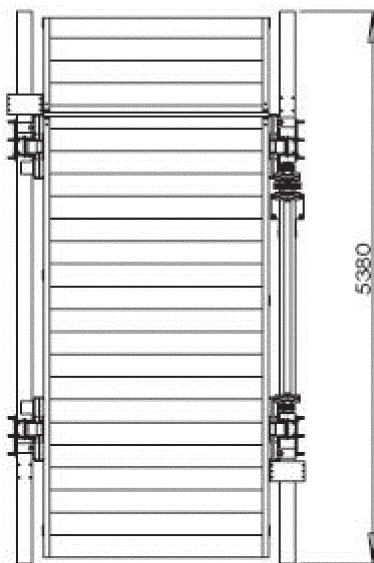
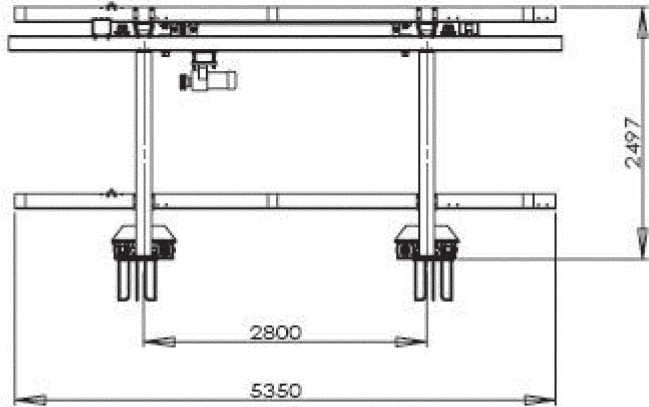
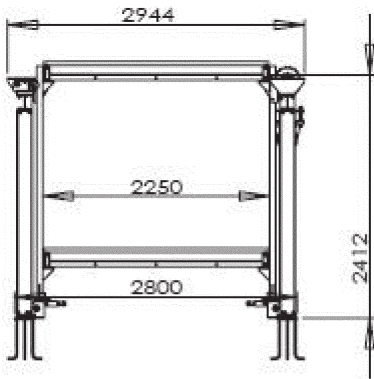
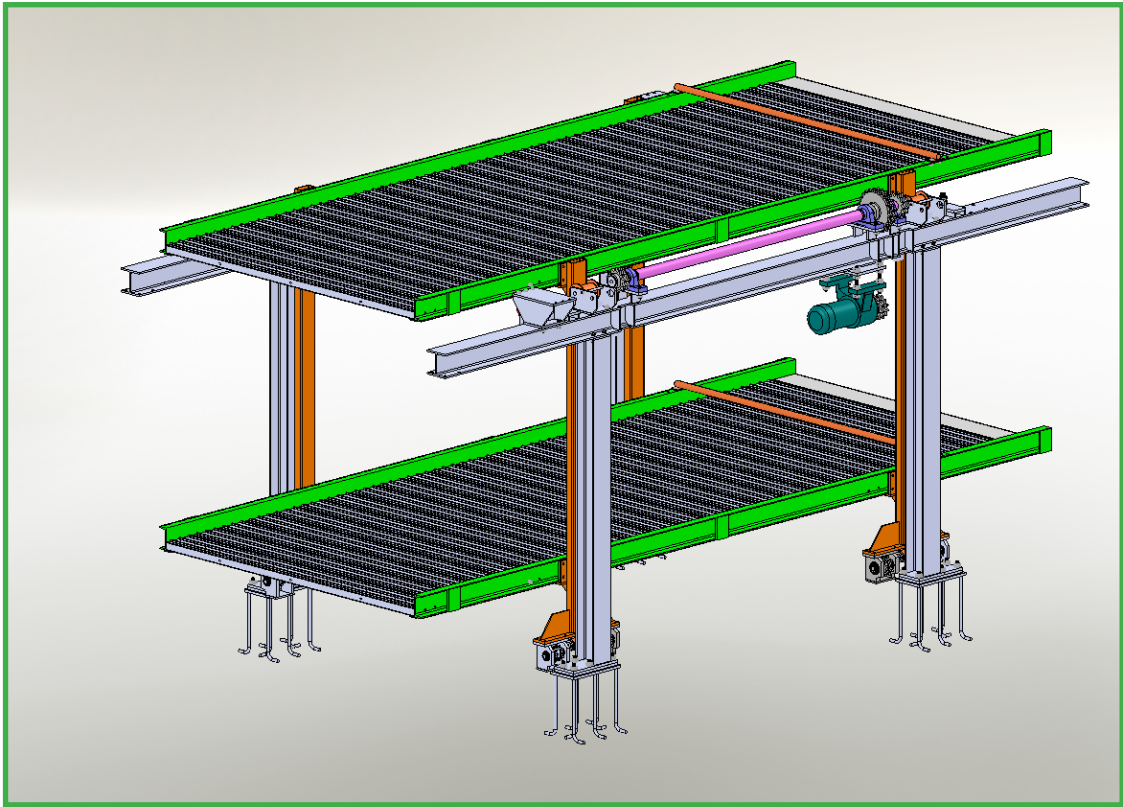
General Technical Parameters

Parking	Type	D
	Parked Vehicles	
	Single Vehicle Weight (kg)	≤1700
Dimensions (mm)	a	2500
	b	5400
	c	5200+200
	d	2100
Drive Mode	Motor+Chain	
Motor	(kw)	3
	Vertical Speed (m/min)	2.2—2.6
Power	3 Phase 380V 50Hz	
	≤45 Seconds	



COMMERCIAL TOUGH
Residential Simple

1300 79 5438 · 0413 29 3318 · 02 9743 9355



1300 79 5438 • 0413 29 3318 • 02 9743 9355