

# Lift King HD 2-Post 6.0T Service Hoist



## Specification

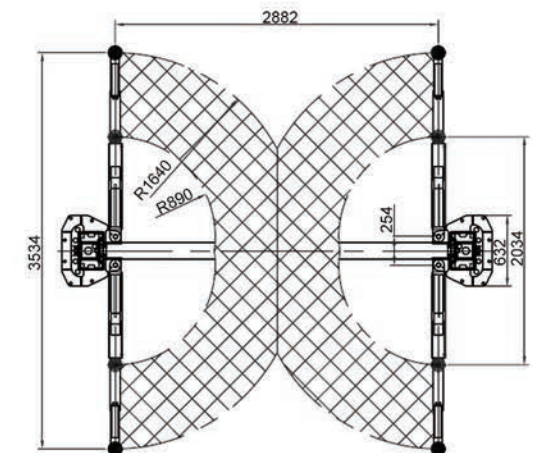
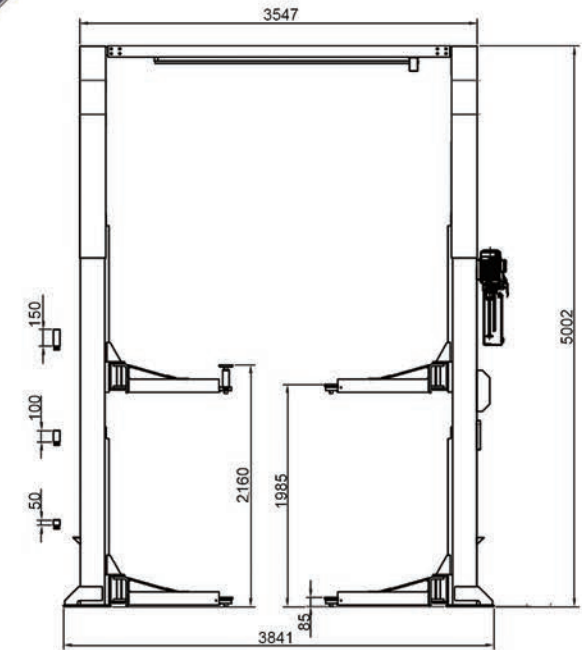
- Capacity: 6000 kg
- Lifting height: 85-2160 mm
- Lifting time: ≤60s
- Overall height: 5002 mm
- Overall width: 3841 mm
- Front arm reach: 890-1640 mm
- Rear arm reach: 890-1640 mm
- Drive through: 2758 mm

## Features

- 6000kg capacity for lifting most passenger cars, trucks and vans.
- Maximum safety due to automatic mechanical safety locks, preventing independent lowering.
- Electro-magnetic lock release system.
- Maximum lifting height and CE limit height with automatic stop function.
- Extra long carriage for less wear on silders.
- Spring operated arm restraints, disengage at floor level.



- Easy Push-Button operation...
- 240V or 3-Phase
- Extra High Clearance for taller vans, trucks & operators...
- Low Pad Height of 85mm allows you to lift lowered cars too...



Standard adapters

[www.herohoists.com.au](http://www.herohoists.com.au)  
1300 79 LIFT